





FILTRATION



TANK MONITORING



HOSE REEL



ACCESSORIES



MERCHANDISE

# PIUSI



ANY BIODIESEL



AIR



ANTIFREEZE



AdBlue®



BIODIESEL



DIESEL



FOOD



GASOLINE



GREASE



KEROSENE



OIL

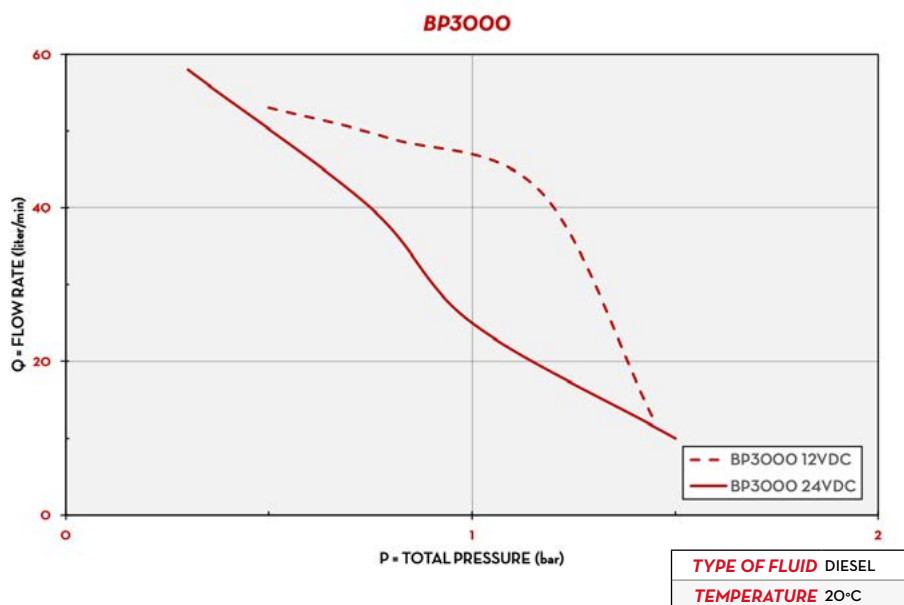


WATER

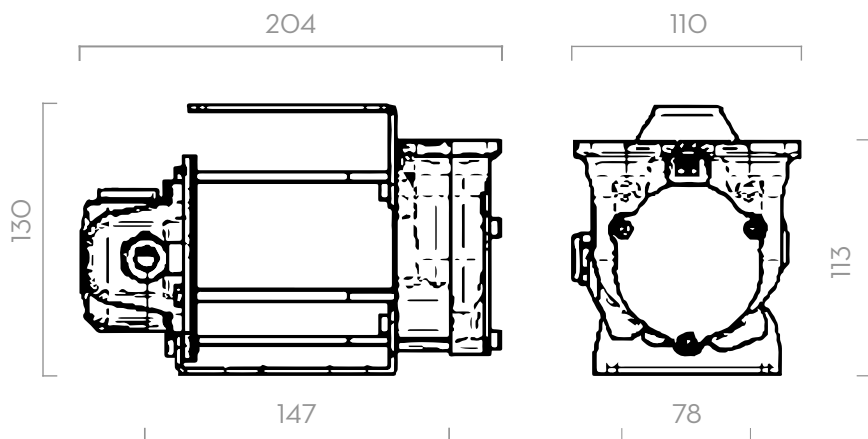


WINDSCREEN

## CHART



## DIMENSIONS



Dimensions expressed in millimeters

## IN THE BOX

- BP3000 PUMP
- INSTRUCTION MANUAL

## DETAILS



VANE ROTOR



IN-LINE VERSION AVAILABLE



CONNECTION KIT

## MATERIALS

- BODY: CAST IRON
- ROTOR: SINTERED STEEL
- VANES: ACETAL RESIN
- SEAL: NBR
- SHAFT: STEEL



PUMP

- > MAX 6M (20FT),
- > SUCTION HOSE Ø 1" MIN,
- > MAX SUCTION HEIGHT:
  - 2M (7FT) W/O NON RETURN VALVE
  - 4M (14FT) W NON RETURN VALVE



TANK

## TECHNICAL DATA

CODE	DESCRIPTION	FLUIDS TYPE	FLOW RATE		VOLTAGE			DUTY CYCLE	RPM	THREADED PORTS BSP	MAX WORKING PRESSURE BAR
			L/MIN	GPM	DC VOLT	POWER WATT	AMP. MAX.				
FO0342000	BP3000 12V	D	50	13	12	300	24	30	2900	-	1,5
FO0347000	BP3000 24V	D	50 / 30	13 / 6	24/12	310 / 80	13 / 6,5	30	2900 / 1500	-	1,5
FO0357000	BP3000 12V INLINE	D	50	13	12	300	24	30	2900	-	1,5
FO0357500	BP3000 12V INLINE 3/4" BSP	D	50	13	12	300	24	30	2900	3/4"	1,5
FO0358000	BP3000 24V INLINE	D	50 / 30	13 / 6	24/12	310 / 80	13 / 6,5	30	2900 / 1500	-	1,5
FO0358500	BP3000 24V INLINE 3/4" BSP	D	50 / 30	13 / 6	24/12	310 / 80	13 / 6,5	30	2900 / 1500	3/4"	1,5
FO0342B00	BP3000 12V B100	BIO D	50	13	12	300	24	30	2900	-	1,5