



CAR FILLING



FUEL MANAGEMENT SYSTEMS



KITS



PUMPS



METERS



METERED NOZZLES

DELPHIN PRO IBC

FEATURES

- FULLY AUTOMATIC
- 100% COMPATIBLE WITH ALL CARS AND VEHICLES**
- STURDY DESIGN
- EASY TO INSTALL
- FLOW RATE REGULATOR
- SPECIFICALLY DESIGN FOR IBC TANKS

DELPHIN PRO IBC is a compact and professional solution for an AdBlue® car filling fixed installation. It benefits from all the features of Delphin Pro AC while being suitable for all situations with a higher consumption of AdBlue®. It is designed to be hung on IBC tanks guaranteeing maximum security and reliability thanks to the lock bracket system. The integrated handle allows a safe and easy lifting. The flat bottom allows to place DELPHIN PRO IBC firmly on the floor during the IBC tank replacement or any other operation.

PERFORMANCE

2-11 L/MIN

FLOW RATE

AC
VOLTAGE
POWER

6M

HOSE LENGTH

AVAILABLE WITH
ON/OFF
BUTTON
SWITCH



DELPHIN PRO IBC



PACKAGING

CODE	WEIGHT		PACKAGING		
	KG	LBS	MM	INCH	PCS/BOX
FOO100BOA	24	52,9	500X340X590	19,7X13,4X23,2	1



NOZZLES



FILTRATION



TANK MONITORING



HOSE REEL



ACCESSORIES



MERCHANDISE



AIR



ANTIFREEZE



AdBlue®



BIODIESEL



DIESEL



FOOD



GASOLINE



GREASE



KEROSENE



OIL



WATER



WINDSCREEN

FUNCTIONING



ACTIVATE DELPHIN PRO



USE THE DIMMER TO ADJUST THE FLOW RATE



CONNECT THE CONNECTOR TO THE TANK OF THE CAR

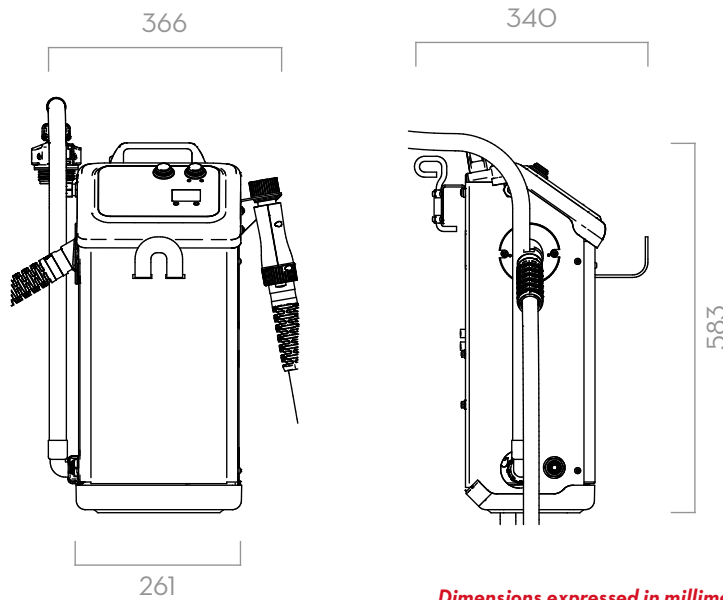


PRESS THE REFILL BUTTON FOR 5 SECS



ONCE THE TANK IS FULL, DELPHIN PRO AUTOMATICALLY STOPS DISPENSING

DIMENSIONS



Dimensions expressed in millimeters

IN THE BOX

- DELPHIN PRO IBC UNIT
- AF2 / SEC CONNECTOR
- INSTRUCTION MANUAL

DETAILS



UNIVERSAL ISO CONNECTOR



AF2 CONNECTOR INCLUDED



SEC VERSION INCLUDED



DIGITAL FLOW METER

MATERIALS

- PUMP:
- BODY: POLIPROPYLENE
- DIAPHRAGM: POLIPROPYLENE

TECHNICAL DATA

CODE	DESCRIPTION	FLUIDS TYPE	FLOW RATE		VOLTAGE			HOSE		ON/OFF
			L/MIN	GPM	AC V./HZ	POWER WATT	AMP. MAX.	LENGHT (M)	Ø (MM)	SWITCH
FO0100BOA	DELPHIN PRO IBC AF2-SEC 230V/50HZ		2 - 11	0,5 - 2,9	230/50	200	1,1	3	19	YES

**IN ACCORDANCE TO ISO/FDIS 22241-4:2009