



CAR FILLING



FUEL MANAGEMENT SYSTEMS



KITS



PUMPS



METERS



METERED NOZZLES

SUZZARABLUE MANUAL NOZZLE

FEATURES

- READY TO USE
- ERGONOMIC GRAB
- LOW WEIGHT

The PIUSI SUZZARABLUE MANUAL NOZZLE is the basic version of Suzzarablu nozzles designed to dispense AdBlue®. Among the manual devices, it is distinguished by its high efficiency thanks to the low flow resistance, and a very inexpensive operation.

PERFORMANCE

UP TO

80 L/MIN

FLOW RATE

3,4 BAR

MAX

OPERATING PRESSURE



SUZZARABLUE MANUAL NOZZLE



PACKAGING

CODE	WEIGHT		PACKAGING		
	KG	LBS	MM	INCH	PCS/BOX
F14761000	0,2	0,4	800X480X300	31,5X18,9X11,8	1



NOZZLES



FILTRATION



TANK MONITORING



HOSE REEL



ACCESSORIES



MERCHANDISE



AIR



ANTIFREEZE



AdBlue®



BIODIESEL



DIESEL



FOOD



GASOLINE



GREASE



KEROSENE



OIL



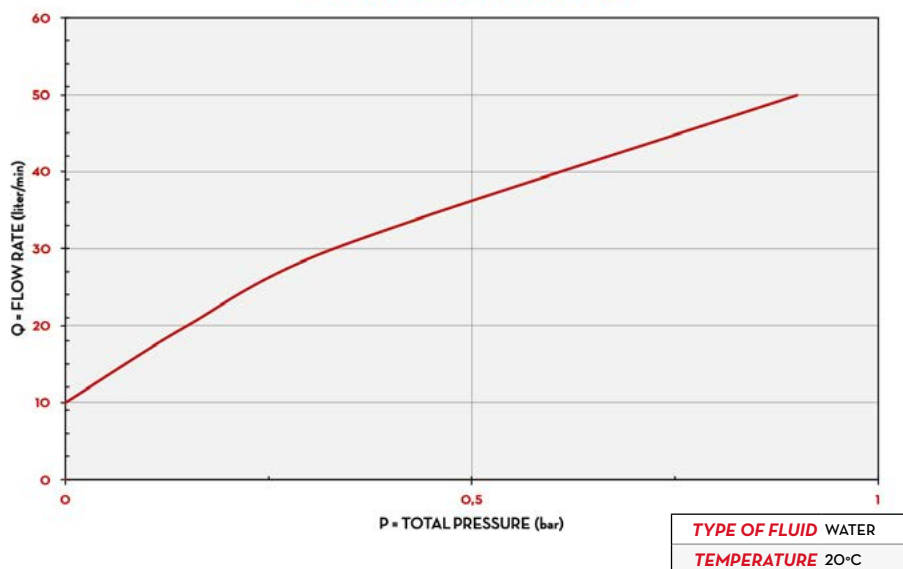
WATER



WINDSCREEN

CHART

SUZZARABLU MANUAL NOZZLE



IN THE BOX

- SUZZARABLU MANUAL NOZZLE
- INSTRUCTION MANUAL

DETAILS

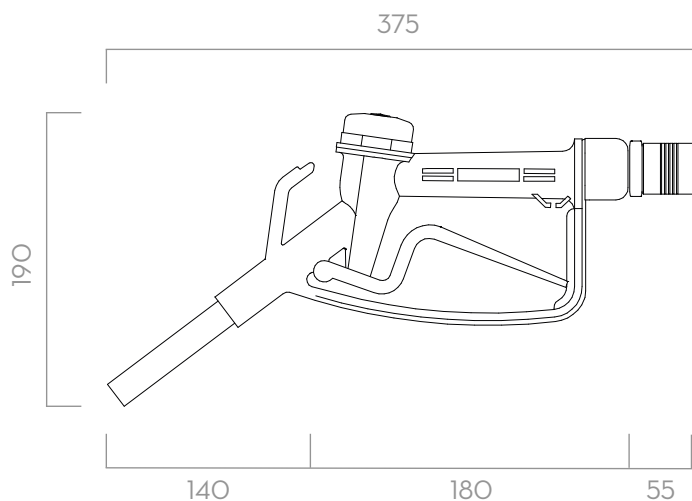


STAINLESS STEEL SPOUT



LEVER LOCK

DIMENSIONS



Dimensions expressed in millimeters

MATERIALS

- SPOUT: STAINLESS STEEL
- BODY: TECHNOPYMER

TECHNICAL DATA

CODE	DESCRIPTION	FLUIDS TYPE	FLOW RATE		PRESSURE	INLET	SWIVEL	SPOUT
			L/MIN	GPM				
F14761000	MANUAL NOZZLE		80	10,6	3,4	3/4"	NO	3/4"